



QUICKSTORE DEMOUNTABLE CONTAINER KOVOBEL WITH BUNDED FLOOR

USER`S MANUAL
AND
SPARE PARTS CATALOGUE



KOVOBEL, výrobní družstvo
Cihlarska 503
344 01 Domazlice
CZECH REPUBLIC



Phone: +420 379 724 441
Fax : +420 379 722 552
E-mail: kovobel@kovobel.cz
Internet: www.kovobel.cz

Edition: 05.2014

QUICKSTORE DEMOUNTABLE CONTAINER KOVOBEL

CONTENTS

1. Usage	3
2. Description.....	3
2.1 Basic Parts	3
2.2 Accessories and Equipment.....	3
3. Work Safety.....	4
3.1 Assembly	4
3.2 Use	5
3.3 Handling	5
3.4 Dismantle.....	6
3.5 Scrapping	6
3.6 Fire Safety.....	6
3.7 Clearance Distance.....	6
4. Technical Informations	7
4.1 Sizes	7
4.2 Weights.....	7
4.3 Sizes and Weights of Bunded Shelves	7
4.4 Weight Limits of Floor.....	7
5. Putting into Service.....	7
6. Operation	7
7. Maintenance	7
8. Building Requirements	7
8.1 Building Requirements.....	7
8.2 Earthing of Container	8
8.3 Enviromental Protection.....	8
8.4 Operating Regulations	8
9. Assembly	8
9.1 Content of Delivery, Assembly Tools	8
9.2 Process of Assembly	9
9.3 Fitting of Shelving.....	10
9.4 Fitting of Roof Stiffening	10
10. Dismantle and Back Assembly to Transport Position	11
10.1 Process of Dismantle.....	11
10.2 Assembly to Transport Position.....	11
11. Guarantee, Service, Spare Parts	13
12. Figures.....	14
12.1 Sectional Wiews	14
12.2 Shelving.....	16
12.3 Roof Stiffening.....	17
12.4 Vandal Bar	18
12.5 Roof with lighting strip	19
12.6 Drive-in ramp.....	19
13. Spare Parts Catalogue	20

QUICKSTORE DEMOUNTABLE CONTAINER KOVOBEL**1. USAGE**

QuickStore demountable container KOVOBEL with bunded floor is used as temporary storehouse for storage of such a materials or matters, where is specified obligation to catch their possible leakage out of the packages in which they are stored.

- They are for example oil products, fertilizers, disinfection matters or inflammable matters with flash point higher than 100^oC.
- The highest allowed volume of above mentioned matters to be stored in the container is 2 m³ (2.000 l).
- In container must not be stored dangerous matters with special regulation for their storage as for example inflammable matters with flash-point lower than 100^o, toxic matters, explosives or acids reacting with zinc.

2. DESCRIPTION

QuickStore demountable containers KOVOBEL with bunded floor are supplied in lengths 2,25 m and 3 m and consist of following parts:

2.1 Basic Parts

- **Floor**
Is made out of steel sheet 2,5 mm thick as the tank serving as bunded floor in case of leakage of stored liquids. The tank is welded to the bearing supports made out of steel sheet 2 mm thick. The floor is hot deep galvanized.
The tank is equipped with four steel grills made out of flat iron 20 x 2 mm with meshing 30 x 30 mm.
Sides of the floor are fixed to horizontal steel supports, which are made out of galvanized steel 1 mm thick.
- **Side Wall**
Is made out of corrugated galvanized steel 0,75 mm thick. Corrugated steel is riveted to another set of steel supports, which are made out of galvanized steel 2 mm thick.
- **Back Wall**
Is made out of corrugated galvanized steel 0,75 mm thick. Corrugated steel is riveted to two steel supports (top & bottom), which are made out of galvanized steel 2 mm thick.
- **Roof**
Is made out of corrugated galvanized steel 0,75 mm thick. This corrugated steel roofing is riveted to steel supports, which are made out of galvanized steel 2mm thick. Side supports of the roof serve as gutters.
- **Double - Wing Door**
Both wings are made out of 0,75 mm corrugated galvanized steel. These are riveted to steel supports of the door. Frames are made out of 1mm galvanized steel. The door is secured by a pull draw leaver, door handle, lock with plug and prevention against buckling. The door wings are attached to the frame with hinges. The frame is constructed of 2 mm galvanized steel supports. To each door wing is delivered separately door stopper 400 mm long.
- **Corner Angle**
Is made out of 3 mm steel. It is galvanized and painted. The corner angles are used to join parts of container (floor, side walls, top) to transport position and for own assembly. Two outside corner angles are provided with pegs which are used for stacking containers in transport position. Corner angles are also equipped with holes, enabling the container to be suspended by crane.

2.2 Accessories and Equipment

- **Shelving**
For this purpose shelving stands and shelving holders made out of galvanized steel 2 mm thick have been supplied. Instalation is variable and it is possible to install different number of shelves. As shelves for other use are delivered bunded shelves in two lengths. These shelves are made out of 1mm galvanized steel.
It is not possible to install the bunded shelves into the container in which is already mounted the roof stiffening.

QUICKSTORE DEMOUNTABLE CONTAINER KOVOBEL

➤ Roof Stiffening

Allowed roof load of standard container roof is 1,0 kN/m². Roof stiffening is installed into the container in cases, when the container is going to be used in climatic zones with higher amount of snow. After fitting of roof stiffening increases the allowed load of container roof up to 3,0 kN/m². The stiffeners (U-profiled) are made out of galvanized steel 3 mm thick. They are connected with galvanized corner parts made out of steel 4 mm thick with bolts M 12 x 30 mm (see pictures no.17 and 18).

➤ Roof with 770 mm wide lighting strip

To daylight inside space of the container is the strip of polycarbonate corrugated panel installed in the roof. This panel is compatible to the corrugated galvanized steel of the roof (see picture no. 20). **The lighting strip is not bearable for any person – it is a danger of falling through and injury.**

➤ Air Grilles

If the increase of self –gravity (natural) ventilation is needed, the container can be equipped with air grilles, that are installed in the container side walls. The air grille is made out of galvanized steel 1 mm thick and has got 20 vent holes with total surface 55 cm². It is possible to fit into the side walls of the container one pair (2 pcs) or more pairs of air grilles.

➤ Vandal Bar

For better protection against violent entry into the container is possible to install the vandal (safety) bar for one-wing or double-wing door (see picture no. 19).

The holes for fitting of brackets for Vandal Bar are prepared in each container and covered with caps.

➤ Single Sheet Door

Can be fitted in the container side wall.

Is made out of 0,75 mm corrugated galvanized steel and is riveted to steel supports, made out of 1 mm galvanized steel. The door is equipped with door handle, lock with plug and prevention against buckling. Door wing is attached by hinges to the frame, constructed of 2 mm galvanized steel supports.

➤ Door with wire mesh

Instead of standard door wings is possible to use the wings with wire mesh. Door wing frames are made of hollow steel sections. Wire mesh is made of wire with diameter 2,8 mm – meshing 40 x 40 mm and is welded in the frame. Door wings are hot deep galvanized. On the door wings are fitted pull draw leaver, door handle and lock with cylinder.

To protect left door wing against unwanted opening is the pull draw lever fastened down with padlock.

➤ Door Stopper

It is possible to fit on each Door Wing folding Door Stopper 400 mm long to fix the Door Wing in open position.

➤ Window

Can be fitted in the container side wall or back wall.

Window frame is made out of the aluminium profiles, window panel is from clear plastic. Window panel is divided in two parts, one part is movable and in shut position is secured against opening. Window can be equipped with sheet shutters, that can be fixed either in open position against the wind gust or in closed position against opening from outside.

➤ Drive-in ramp

Is made of anti-slip steel sheet 3 mm thick. Complete drive-in ramp is hot deep galvanized. Length of the ramp is 885 mm, width 1.000 mm, height 65 mm and weight is 29 kg. (see picture no. 21).

3. WORK SAFETY

QuickStore containers comply with all safety and hygiene standards, environment and fire regulations in accordance with all rules and respective technical standards.

Basic principles of work safety during assembly, use and handling with container (see national regulations) are supplemented with following:

3.1 Assembly

- QuickStore containers can only be assembled and used by persons aged 18 or older, in physical and mental order, who are certified with the assembly of containers and work safety.
- When assembling this unit it is necessary to line up individual parts in accordance with instructions in this manual and to ensure proper bolting and tightening of all the joints.

QUICKSTORE DEMOUNTABLE CONTAINER KOVOBEL

- Due to very substantial parts, it is necessary to do the assembly with sufficient number of workers to prevent accident and injury. The number of assembly workers required is decided by customer, depending on size of the container & physical condition of workers, to ensure work safety.
- When handling with the container parts are to be followed the regulations about work safety (using protective gloves).

3.2 Use

- Containers can only be used for purposes designated in this manual. If it is used for another purpose, neither the manufacturer, nor supplier will be liable for any damages caused.
- Container is resistant against usual weather conditions (rain, snow).
In case of using pressure water for container clearing in other directions to than up-down, the water could get into the container space and interfere the stored materials with water. If it is used pressure water for clearing of outside container surface, the producer is not responsible for the possible damages of stored materials.
- Materials for winter maintenance of roads could damage the galvanizing of steel sheets as they could react with Zinc
- As all sides of the container are made out of steel sheets and container can be placed in extreme climate conditions it is necessary to respect following facts:
 - in extreme high temperatures can the surface temperature reach over 60°C and so it is necessary to take prevention measures against damages of stored materials and burning of operator (using protective gloves),
 - in extreme low temperatures (below -20°C) are potential risks of „sticking“ the skin to the steel surface (using protective gloves).
- Weight limit for one shelving holder is 30 kg.
Weight limit for one shelving stand is 120 kg.
Minimal distance between shelves is 300 mm.
- Containers can be stacked in transport or assembly position.
Stacking is used to save space by storage of non-used containers. By stacking of assembled containers is allowed to stack up three containers and in that case must be second and third upper containers empty.
- In case of bad weather conditions – high wind gusts – is necessary to fix the door wings against unadvisable closing.
- For handling with materials inside the container can be used only hand operated manipulating devices, for example hand pallet truck, hand platform truck, hand cart etc.
- It is strictly **forbidden** to put any materials on the container roof.
- It is strictly **forbidden** any movement of persons on the container roof without necessary safety measures for work in heights.

3.3 Handling

- Containers can be handled with
 - fork lift truck
 - crane.
- Any handling of containers can be only done by certified operator (certification for fork lift truck or crane).
- Handling of containers is done:
 - by unloading from the conveyance
 - by loading on the conveyance
 - by moving from one place to another.
- By handling with fork lift truck must the fork lift truck be equiped with proper forks (long enough) and before handling must be found centre of gravity of container as pre-condition for safety handling.
- By handling with crane must be used binding equipment with corresponding parameters – it means lifting power, length and must be used at least four catching points.
For catching the container with ropes or hooks are serving the openings in corner angles.
- It is **prohibited** to handle the container while people are inside.
- Handling of the assembled container is only permitted with locked doors.
- Container can be **transported** on the conveyance (truck, wagon, ship) in transport position or assembled. In case of **transportation** in assembled position no material, goods or matters are allowed to be placed in the container.
- By transportation of containers on public roads are to be followed common regulations for forwarding.

QUICKSTORE DEMOUNTABLE CONTAINER KOVOBEL

- By **displacement** of container in assembled position (usually on the company or building territory) is possible to leave stored material in the container in following conditions:
 - surface weight limit of floor – 500 kg/m² will be accepted
 - are accepted weight limits for handling container - 1500 kg with crane
- 3000 kg with fork lift truck
 - stored material will be fixed against movement before handling of the container.
- Any handling of damaged container (with a crane or forklift truck) is **prohibited**.

3.4 Dismantle

- Before dismantling must be vacated all content of the container and must be fitted out all the equipment - shelving
- roof stiffening
- Container can only be dismantled by persons certified with work safety regulations and with use of the tools for dismantling (usual maintenance tools).
- Due to very substantial parts, it is necessary to do the assembly with sufficient number of workers to prevent accident and injury. The number of assembly workers required is decided by customer, depending on size of the container & physical condition of workers, to ensure work safety.
- When handling with container parts are to be followed the regulations about work safety (using protective gloves).

3.5 Scrapping

- Scrapping of parts of dismantled container must be done in accordance with environmental regulations.
Comming out sorts of waste are: - steel scrap (roof, side wall, back wall, door, floor, shelving, roof, stiffening, vandal bar)
- plastic waste (prevention against buckling, lighting strip of the roof)
- For right scrapping is responsible the owner of container and is supposed to be done at the end of working life of the container when the individual parts are no longer to be used.

3.6 Fire Safety

- In the container are to be stored only the inflammable matters with flashing point higher than 100° C.
- The highest allowed volume of above mentioned matters to be stored is 2 m³ (2.000 l).
- QuickStore container with bunded floor is made out of incombustible materials.
- QuickStore container with bunded floor is **separate fire section**.
- Placing of QuickStore container with bunded floor in production, non-productive or free space must be realized according to fire solution consistent with valid regulations.
- QuickStore container with bunded floor is classified as **open fire area without fire resistance**.
- **Fire dangerous space** is defined with fire breaks in table no. 3.7. and into this fire dangerous area must not interfere any other object.
- Container with bunded floor must be placed not to interfere in fire dangerous area of other object (building) neither with its fire dangerous area.
- If they are stored in the container with bunded floor inflammable matters with flash-point higher than 100° C the container must be equiped with fire extinguisher according to the type of stored matter and according to valid rules – see table no. 3.7.

3.7 Minimum fire break according to CSN 730804 and number of fire extinguishers

Stored quantity of inflammable matters	Container 2,25 m long		Container 3 m long	
	Fire break	No. of extinguishers (foam or powder)	Fire break	No. of extinguishers (foam or poder)
1,0 m ³	4,40 m	1 pc min 6 kg	5,10 m	1 pc min 6 kg
2,0 m ³	5,10 m	1 pc min 6 kg	5,90 m	1 pc min 6 kg

QUICKSTORE DEMOUNTABLE CONTAINER KOVOBEL

4. TECHNICAL INFORMATIONS

4.1 Sizes

Container	Measurements [mm]									
	Inside			Outsider			Transport position			Capacity of bundled floor [l]
	width	height	length	width	height	length	width	height	length	
2,25 m	2.000	2.000	2.070	2.200	2.200	2.250	2.200	380	2.250	202
3 m	2.000	2.000	2.840	2.200	2.200	3.000	2.200	380	3.000	275

Entrance doorway to container, when door is fully opened, is 1930 x1930 mm in both types of containers.

4.2 Weights

Container	Weights of individual container parts [kg]						Total weight of container [kg]
	Side wall	Back wall	Door	Roof	Floor	Corner angle	
2,25 m	58	30	60	68	222	1	508
3 m	62	30	60	72	307	1	605

4.3 Sizes and Weights of Bunded Shelves

Measurements [mm]			Capacity [l]	Weight [kg]	Use
Length	Width	Height			
2005	521	40	39	9,7	to side and back wall of containers all lengths
2800	521	40	54	13,4	to side wall of containers all lengths, except length 2,25 m

4.4 Weight Limits of Floor

Surface weight limit of floor	500 kg/m ²
-------------------------------	-----------------------

5. PUTTING INTO SERVICE

The container can only be used, if it has been assembled according to this manual, by trained workers, carefully, with all joints firmly tightened and if no damage or other deformations have been found.

6. OPERATION

The container can only be used by adults authorised and trained. The handler must have read and understood the QuickStore Container Manual. Training is the responsibility of the owner/operator.

7. MAINTENANCE

Maintenance of the container consists of following activities:

- visual check of the container's condition (once a week)
- application of lubricator on hinges (as necessary)
- cleaning of drain (as necessary)

8. BUILDING REQUIREMENTS

8.1 Building Requirements

- QuickStore container with bundled floor must be positioned on **level and compact or solid area**. Placing on level area is necessary condition for:

QUICKSTORE DEMOUNTABLE CONTAINER KOVOBEL

- proper funktion of the door
- optimal use of bunded floor volume.
- The container must be carefully **levelled into horizontal position with measuring instrument**, that confirms the right position – builder's level.
- **Approach road** to the container must correspond with method it is being used for.

8.2. Earthing of Container

- It is not necessary to earth the Container in common natural soil conditions.
- Earthing is required in case of bad contact of the Container with natural soil base.
- It is forbidden to use the container as shed (also temporary) for persons and animals in case of bad atmospheric conditions (thunderstorm, heat, frost).

8.3 Enviromental Protection

- It is possible to store in the container the matters in packings with volume, that must not exceed he capacity of bunded floor (see table no. 4.1. – Sizes).
- If the container is not carefully levelled into **horizontal position**, the capacity of bunded floor is reduced and in case of breaking the packing with highest allowed volume could get the matter from the bunded floor to the surroundings of container.
- Container used as the store of oil products must not be placed in **flood area of water course**.
- Container used as the store of oil products must not be placed in the **area of hygienic protection of water sources and in protected area with natural water accumulation**.

8.4 Operating Regulations

- In container are to be stored only the matters introduced in art. no. 1 of this manual and in the volumen, mentioned also in art. no. 1 of this manual.
- Operation of oil products store is to be realized in accordance with approved operation regulations.
- The operator is responsible for working out the operation regulations.
- Operation regulations are containing mainly:
 - data about operator, marking and placing of the store, data about approval and validity of operating regulations
 - characteristics of stored matters (oil products and inflammable matters)
 - service and maintenance instructions
 - requirements for work safety and hygiene
 - procedure of failure and accident recovery
 - guide of operative records.

9. Assembly**9.1 Content of Delivery, Assembly Tools**

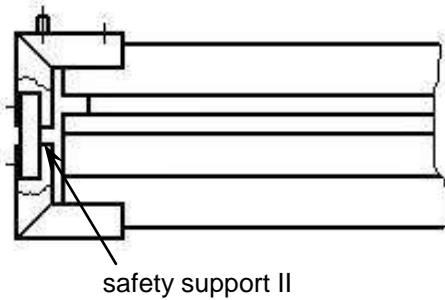
- QuickStore containers are delivered in transport position, unless agreed otherwise.
- In container in transport position is to be found:
 - User's Manual and Spare Parts Catalogue
 - three keys fitted with sticking tape on door
 - door stopper with self-trapping screws \varnothing 4,2 x 22 mm – 2 ks
 - plastic bag with following parts, needed for container assembly:
 - handle with arresting screw - 1set
 - bolt M 12 x 70 - 4 pcs
 - nut M 12 - 4 pcs
 - safety nut M 12 - 4 pcs
 - self-drilling screw \varnothing 4,8 x 25 mm 2 pcs
 - washer \varnothing 50,5 mm - 4 pcs
- Tolls needed for assembly:
 - open spanner no. 19
 - ratchet spanner no. 19
 - hammer
 - screwdriver
- It is necessary to assemble the container on a level solid area.

QUICKSTORE DEMOUNTABLE CONTAINER KOVOBEL

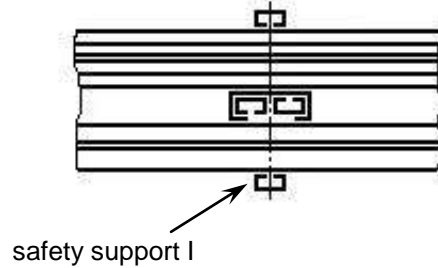
1 Process of Assembly

- Unscrew the top corner angles.
- Remove safety supports II – bolted to the corner angles (see picture no. 1)
(save for next possible assembly to transport position).
- Remove safety supports I – are connecting the supports of side walls to prevent their sliding (see picture no. 2)
(save for next possible assembly to transport position).

Remove of laid out transport position individual container parts (roof, door, back wall and side walls) and put them aside so you are left with only the floor.



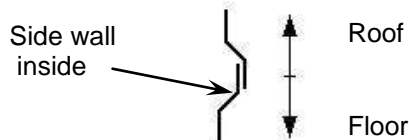
Picture no. 1



Picture no. 2

- Attach **both side walls** into the horizontal steel supports („V“ shape) of the floor, set them in vertical position and bolt them through corner angles to the floor (see picture no. 9 and 10). If there is in any wall fitted door or window, it must be closed and fixed in the wall during assembly.

WARNING: The side walls must be positioned so that the joining of corrugated panels, which rung in the middle of the side wall, corresponds to the picture no. 3. (Towards the floor with labelling **THIS SIDE DOWN**). In the opposite case, water would come into the container.



Picture no. 3

To avoid the dismantle of side walls and so the whole container from outside is side wall bolted in its middle round opening to corner angle using bolt M 12 x 70, washer Ø 50,5 mm, nut M 12 and safety nut M 12 from the plastic bag delivered in the container.

- The **back wall** is attached to the side walls and floor as you can see on pictures no. 11 and 12. Back wall is seated from the inside of the container.
- **Complete door** (incl. frame) is attached between the side walls and based in the same way as the back wall, as shown on pictures no. 11 and 12. Bottom part of the door frame is screwed down to the floor with two self-drilling screws Ø 4,8 x 25. Screws are in plastic bag and their placing is shown with two openings Ø 3,8 mm, which are in the middle of the bottom part of the frame (see picture no. 4).



Self-drilling screws Ø 4,8 x 25 mm

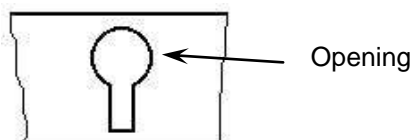
Picture no. 4

QUICKSTORE DEMOUNTABLE CONTAINER KOVOBEL

To each door wing is screwed with self-tapping screws the door stopper.

Right position of door stopper regarding to surrounding terrain is shown on the sticker placed on bottom part of door wing.

- The **roof** sits over the side walls (see pictures no. 9 and 10) and over the back wall and door (see picture no.11). The roof is bolted to the side walls through the corner angles. In round opening in the side wall is side wall bolted to corner angle using bolt M 12 x 70, washer Ø 50,5 mm, nut M 12 and safety nut M 12 from the plastic bag delivered in the container.
- **Both door wings** are supplied with plastic supports to prevent the door from opening too wide and being damaged. On one end of the plastic support there is a stopper made of galvanized steel. Stopper should be inserted into the shaped opening, which is cut in the roof supports (see picture no. 5). Plastic support is placed on the top part of the door. Now attach handle which is secured with arresting screw.



Picture no. 5

!!! All bolt joints must be firmly tightened !!!

9.2 Fitting of Shelving

If the container is to be used with shelving, shelving stands and shelving holders are supplied.

- **Shelving stand** is fixed vertically to the side wall of container one end inserted into the floor support and the other end into the roof support (see pict.no.13). Number of installed shelving stands is optional and depends on shelving requirements.
In the shelving stand there are the series of grooves which allow suitable number of shelves to be fitted.
Weight limit of shelving stand is 120 kg.
- **Shelving holder** is hooked into the grooves in the shelving stand as shown on picture no. 14 always beginning from the bottom holder to the upper.
Weight limit of shelving holder is 30 kg.
Minimal distance between shelves is 300 mm.
In shelving holder are prepared holes for screwing the shelves.
- **Bunded shelves** are supplied for shelving. Shelves can be made out also of other materials, for example wooden planks, plywood, chipboard etc. These are not delivered with containers.
Bunded shelf is made out of galvanized sheet 1 mm thick, is layed on the shelving holders and fixed with cut-outs on the shelving stands. For fixing the bunded shelves are bolt joints not used.

9.3 Fitting of Roof Stiffening

- Roof stiffening is completed with:
 - foot..... 2 pcs
 - corner 4 pcs
 - beam..... 2 pcs
 - beam I..... 2 pcs
 - beam II..... 2 pcs
 - bolt M 12 x 30 13 pcs
 - nut M 12..... 13 pcs
 - washer 13 13 pcs
 - screw 6,3 x 30 4 pcs
- Roof stiffening is fitted in the container in the same place as outside supports of side walls and roof.
As reason for its installing is to strengthen these supports.
- **Beams I and II** are to be drilled with drill Ø 5,5 mm together with outside supports of side walls (see pict. no. 17) and screwed tight together with self-drilling screws Ø 6,3 x 30 DIN 7981.
Complete stiffening is fitted together with bolts M 12 x 30 as shown on pict. no. 18.

QUICKSTORE DEMOUNTABLE CONTAINER KOVOBEL**10. DISMANTLE AND BACK ASSEMBLY TO TRANSPORT POSITION****10.1 Process of Dismantle**

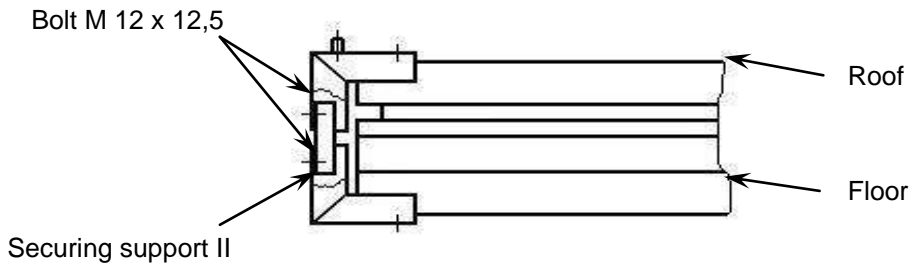
- Containers are dismantled back to transport position mainly for following reasons:
 - saving of space by storage – it is possible to stack up to eight containers
 - easier and cheaper transportation.
- Containers are to be dismantled on flat compact surface.
- Before dismantling of the container it is necessary to remove from inside space all stored materials and other extraneous matters.
- For dismantling of the container are needed these tools:
 - open spanner no. 19
 - ratchet spanner no. 19
 - hammer
 - screwdriver
- If **shelving** is used it is necessary to remove this in following way:
 - dismantle shelves
 - shelving holders are to be unhooked out of the grooves of the shelving stand in the opposite way than showed on pict. no. 14
 - shelving stands are to be slid vertically on one side and slipped out of the bend of the roof corrugated sheet and of the floor horizontal steel support – see pict. no. 13.
- Two **plastic supports**, used to prevent the door wings from opening too far and damaging them, are dismantled by the loose end of the plastic support with stopper being unhooked from the opening, which is cut into the roof support (gutter) as shown on picture no. 5.
- The screw-secured door handle is removed from the **door** and the door stopper are unscrewed.
- Before removing the **roof** the top corner angles must be dismantled. Before unscrewing the bolt M 12x70, which is used to secure the side wall to the corner angle, the safety nuts must be removed from inside the container. After this dismantle the bolt connection. The roof is then lifted over side walls and over back wall and door (see pictures no. 9 and 11).
- **Back wall** is lifted from side walls. Back wall is removed from inside of the container (see pictures no. 11 and 12).
- **The complete door** (incl. frame) is lifted from side walls and floor in the same way as the back wall from inside of the container as shown in pictures no. 11 and 12. Bottom part of the frame is fastened with two self-drilling screws Ø 4,8 x 25 in the middle to the floor (see picture no. 4). The screws are removed with the help of screwdriver.
- **The side walls** have to be dismantled from corner angles. Bolt joints M 12 x 70, which are used for securing the sides to corner angles, are removed after undoing safety nuts from inside the container. Bolts are not needed for dismantle position, but they are saved for future re-assembly. Side walls of the container are lifted from corner angles and floor supports (see pict. no. 9 and 11).

10.2 Assembly to Transport Position

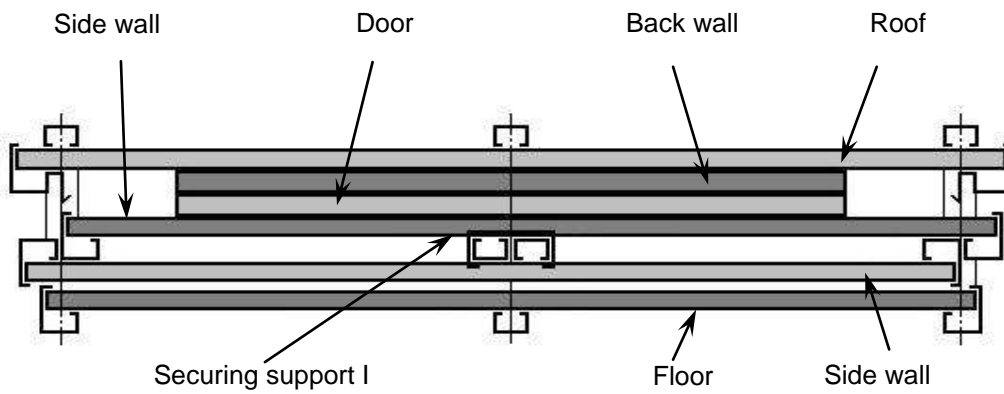
- For assembly of the container to transport position are required the parts, noticed in article 9.2. to be saved for back assembly of the container to transport position:
 - securing support I - 4 pcs
 - securing support II - in number according to the container size (for each corner angle connection – 1 pc)
 - bolt M 12 x 30 - 4 pcs (replaced by container assembly with bolts M 12 x 70).
- For right assembly of container to transport position is also strapping instrument needed.
- The parts fitted out in dismantling (screw-secured door handle, four bolts M 12 x 70, four washers Ø 50,5 mm, four nuts M 12, four safety nuts M 12, two self-drilling screws ø 4,8 x 25 mm and keys) are to be saved for back assembly of the container.
- Assembly of the container into transport position is done by folding dismantled parts as follows (see pictures no. 6, 7 and 8):
 - A side wall (inside down) onto the floor.
 - The other side wall (outside down) on top of the first one. Bearer supports are put together and secured with securing support I, as shown in picture no. 7.
 - Back wall onto the side walls.
 - Door onto the back wall.
 - All sections to be fixed by tape.
 - Roof onto the door.
- Corner angles are fitted to the roof and with securing supports II and with bolts M 12 x 30 are bolted together with opposite corner angles fitted on the floor (see picture no. 6).

QUICKSTORE DEMOUNTABLE CONTAINER KOVOBEL

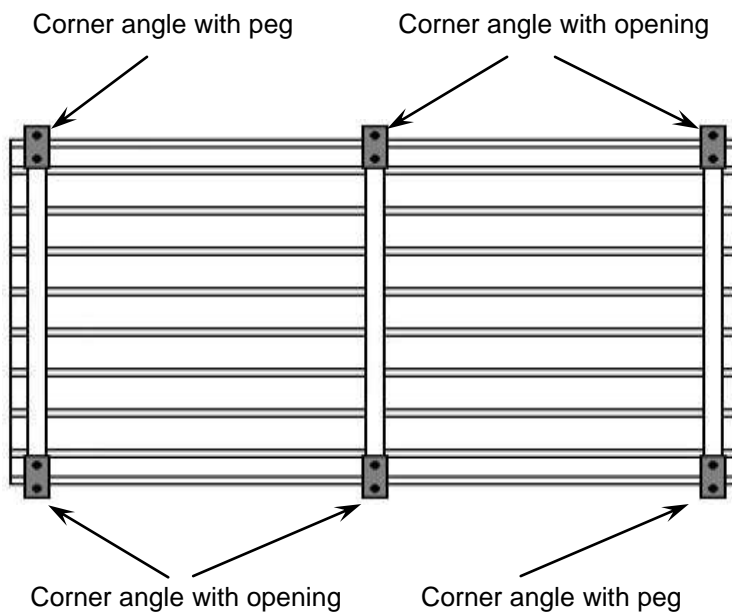
- Make sure that the two corner angles with pegs are placed on the corners of the container (crossways) as shown on picture no. 8.



Picture no. 6



Picture no. 7: Longitudinal cross section view of container in transportation position



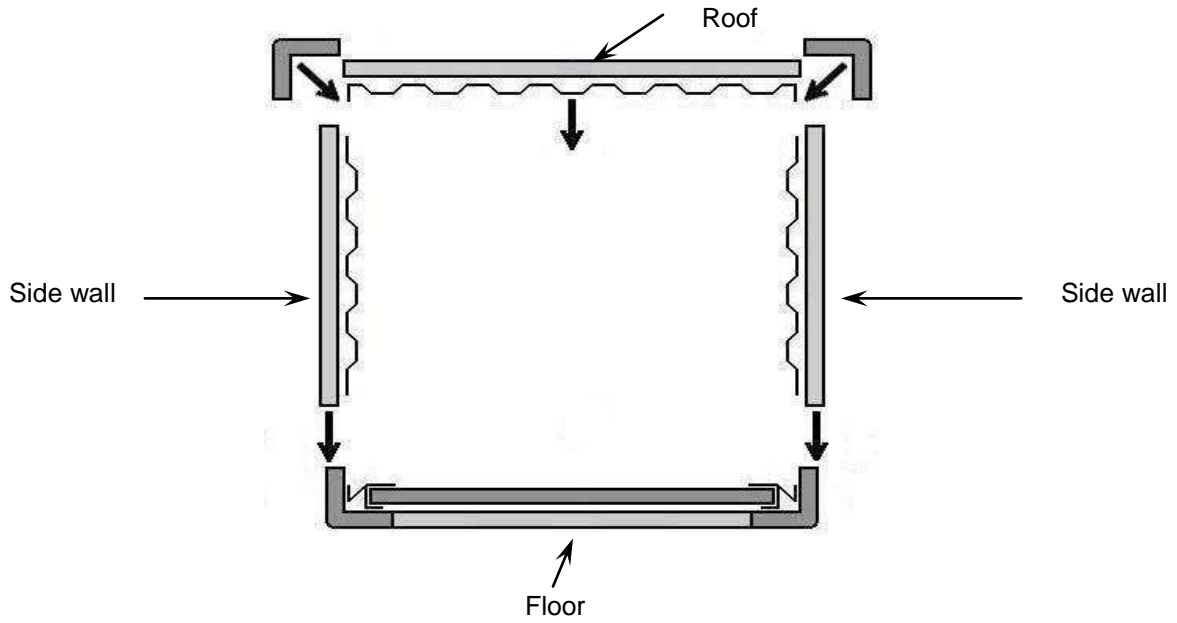
Picture no. 8: Top view on the container in transportation position

11. GUARANTEE, SERVICE, SPARE PARTS

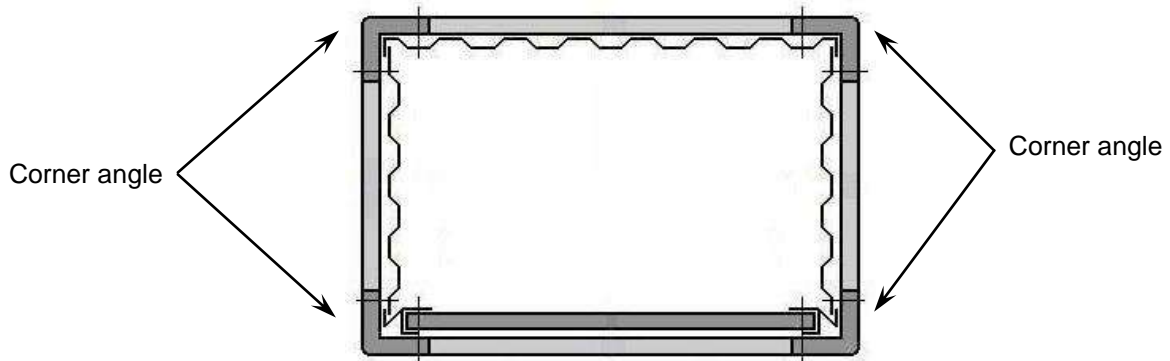
- The producer gives a 12-month-guarantee.
Responsibility for defects and guarantee is followed in accordance with regulations of commercial and civil law.
- Any repairs during the guarantee period as well as after it must be carried out by the producer.
- For ordering of spare parts, the Catalogue of spare parts should be used.
- Spare parts are delivered after proper order, where following points are stated:
 - name and address of the purchaser,
 - information for correspondence and banking contact,
 - name and length of Kovobel container,
 - accurate description of the part wanted as stated in the Catalogue,
 - number of parts and term of delivery,
 - way of transportation.

12. FIGURES

12.1 Section Views

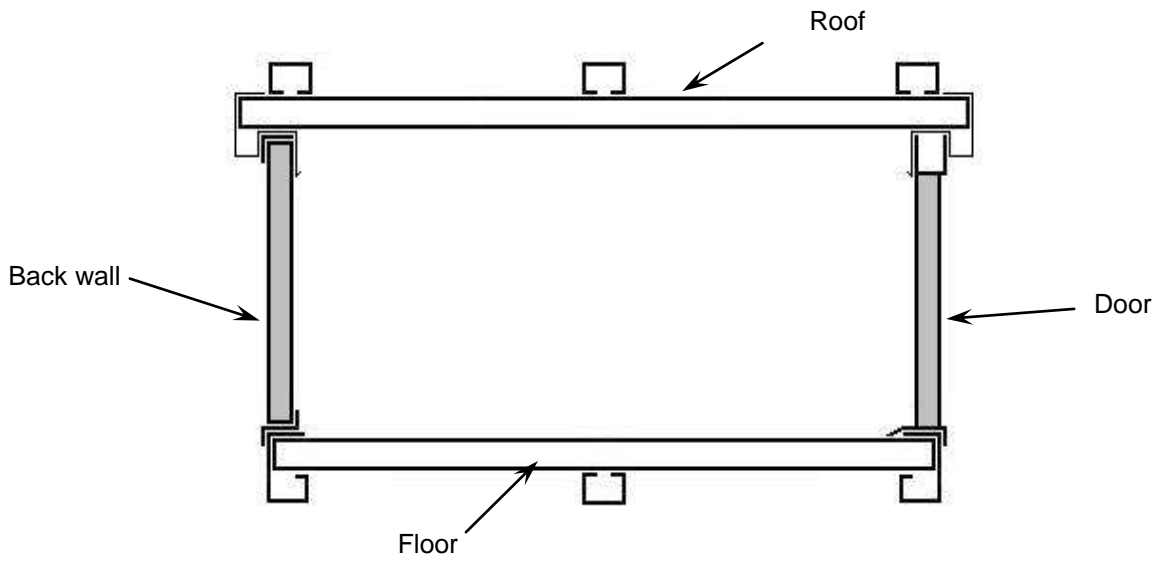


Picture no. 9: Cross section – before fitting the parts

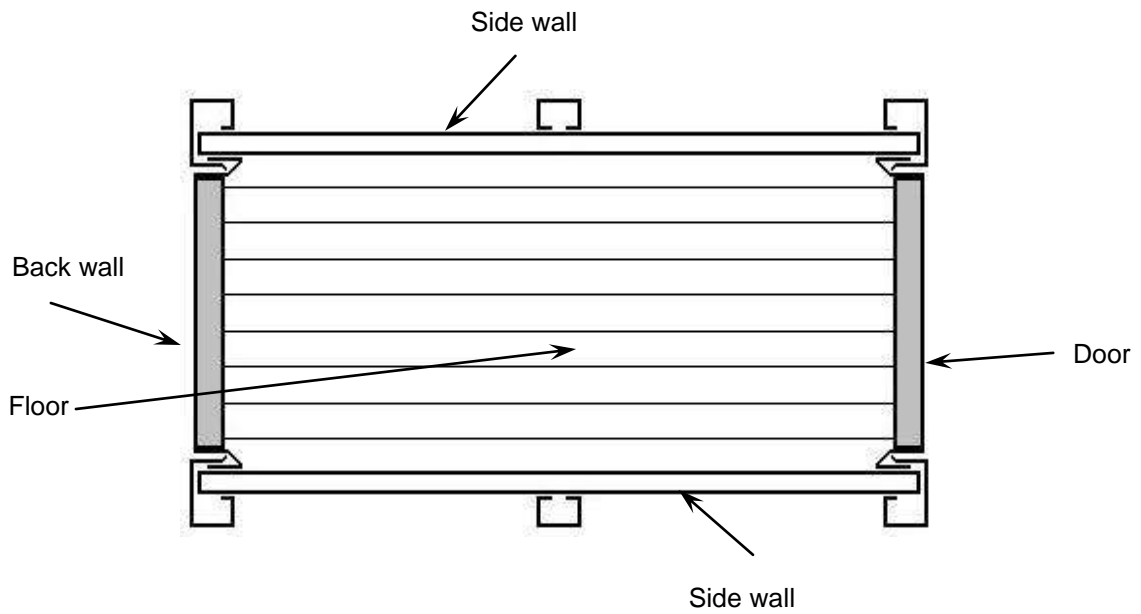


Picture no. 10: Cross section – after assembly the parts

QUICKSTORE DEMOUNTABLE CONTAINER KOVOBEL



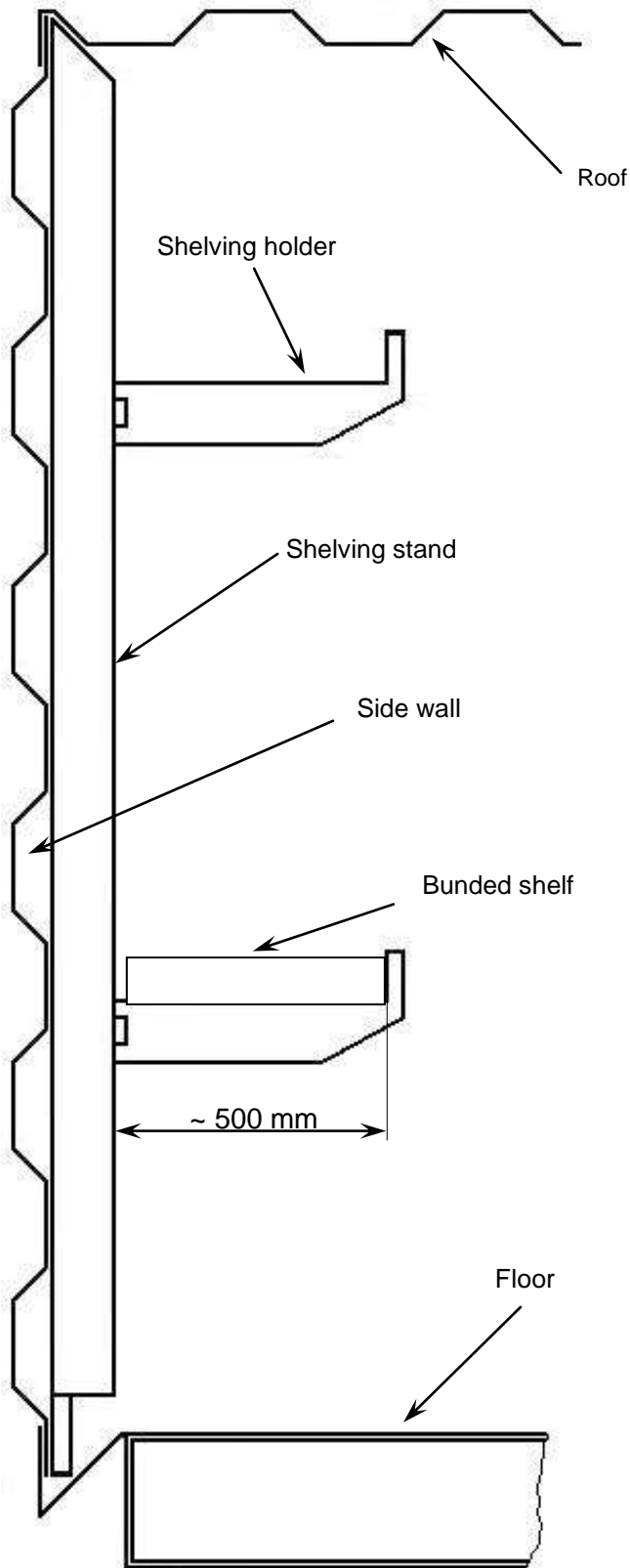
Picture no. 11: Lengthwise section



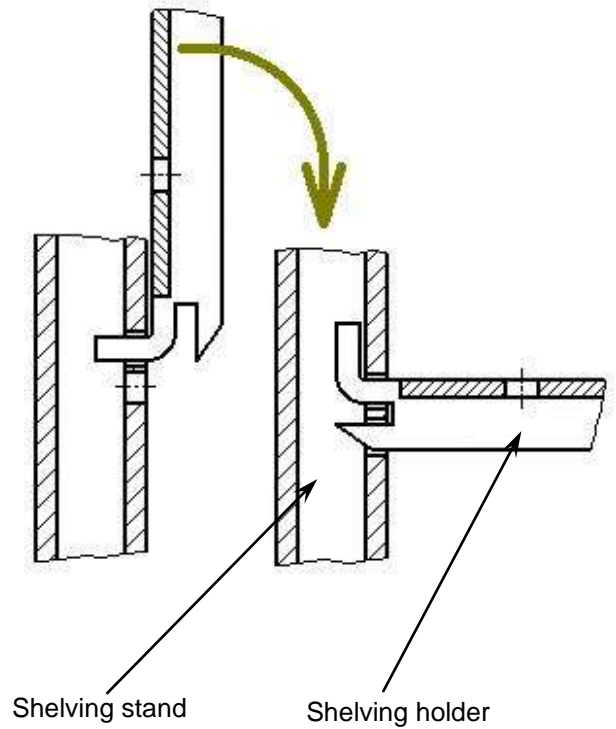
Picture no. 12: Horizontal section

QUICKSTORE DEMOUNTABLE CONTAINER KOVOBEL

12.2 Shelving

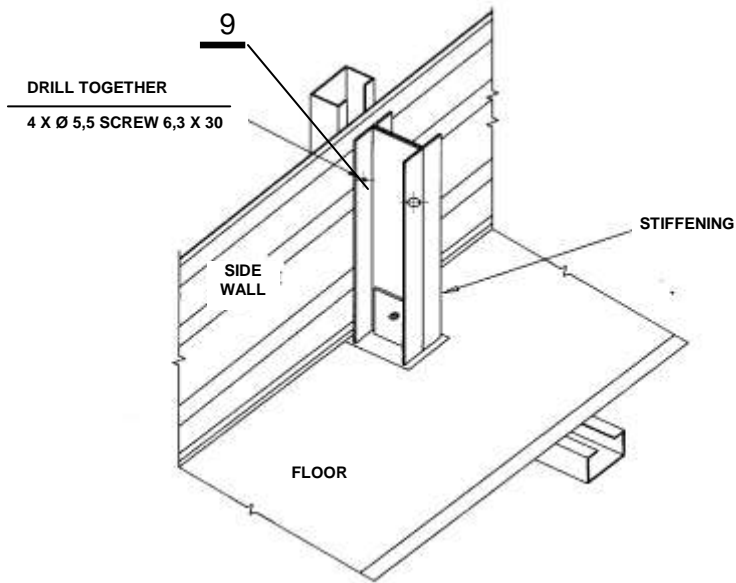


Picture no. 13: Shelving

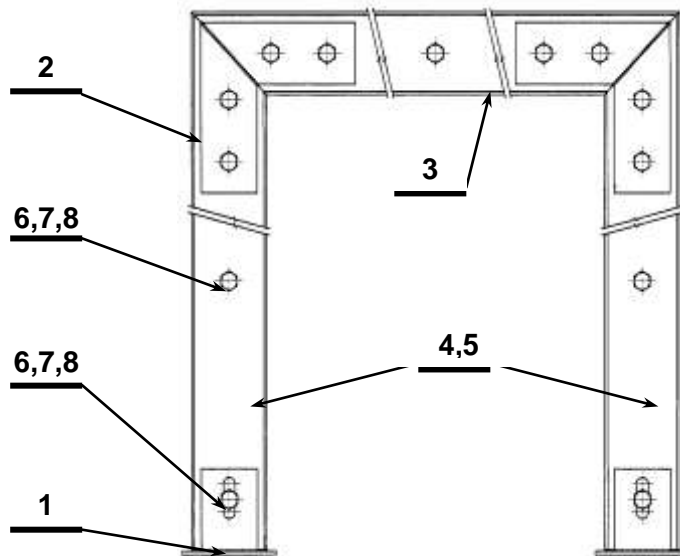


Picture no. 14:
**CROSS SECTION OF ASSEMBLY THE SHELVING
HOLDER TO SHELVING STAND**

12.3 Roof Stiffening



Picture no. 15



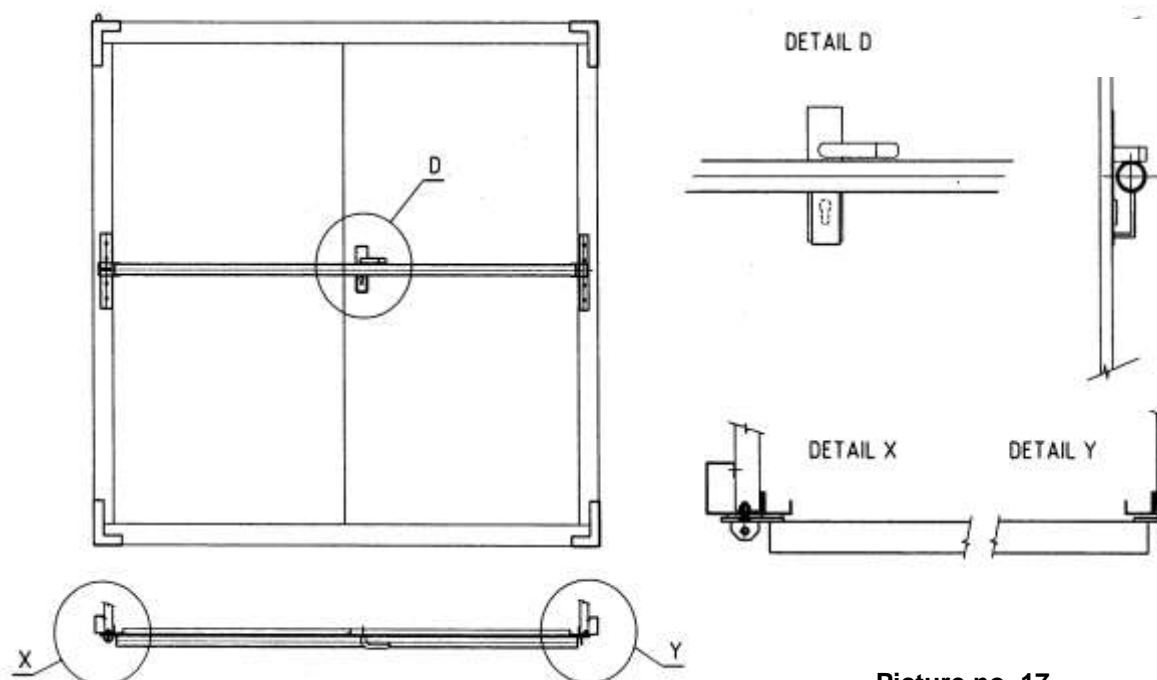
Picture no. 16

QUICKSTORE DEMOUNTABLE CONTAINER KOVOBEL

Parts for roof stiffening

POSITION	NAME	ORDER NUMBER	NUMBER OF PIECES FOR CONTAINER	
			2m	3m
1	Foot	023520	2	2
2	Corner	023530	4	4
3	Beam	023540	2	2
4	Beam I	023550	2	2
5	Beam II	023560	2	2
6	Bolt M12*30	213600	13	13
7	Nut M12	290700	13	13
8	Washer 13	310900	13	13
9	Screw 6,3*30	285900	4	4

12.4 Vandal Bar



Picture no. 17

Parts for vandal bar

Position	Part	Order no.	Number for 1 set
1	Holder I	915 129	1
*2	*Bar for double wing door	*915 126	*1
*3	*Bar for one wing door	*914 821	*1
4	Holder II	915 130	1
-	Carriage bolt M8 x 25	280 500	8
-	Nut M8	290 500	8
-	Washer 8,4	310 700	8

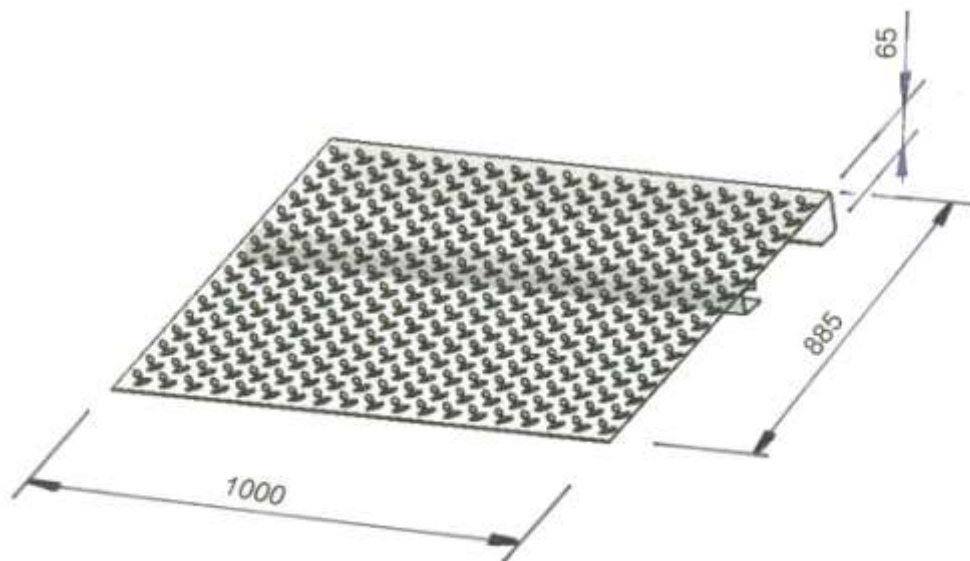
*For double wing door is to be ordered pos. no. 2, for one wing door pos. no. 3

12.5 Roof with 975 mm wide lighting strip



Picture no. 18

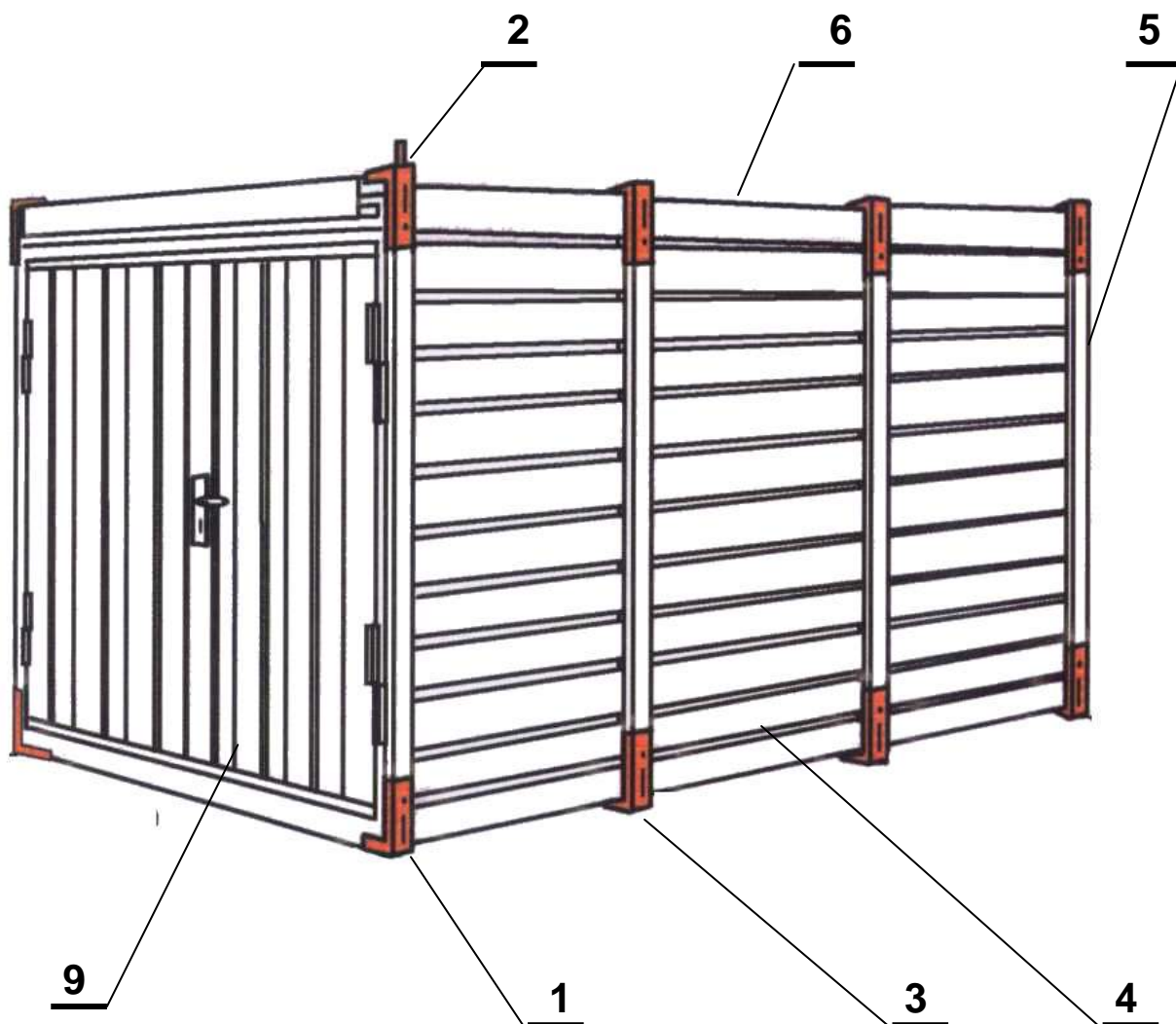
12.6 Drive-in ramp



Picture no. 19

QUICKSTORE DEMOUNTABLE CONTAINER KOVOBEL

13. SPARE PARTS CATALOGUE



CONTAINER 2,25 m LONG

POS.	NAME OF THE PART	CATALOGUE NUMBER	NUMBER OF PARTS PER 1 CONTAINER
1	bunded floor	02395	1
2	corner angle with peg	01953	2
3	corner angle with opening	01952	10
4	side wall	01939	2
5	back wall	01932	1
6	roof	02141	1
7	shelving stand	01928	according to requirements
8	shelving holder	01927	according to requirements
9	door	01925	1

QUICKSTORE DEMOUNTABLE CONTAINER KOVOBEL

CONTAINER 3 m LONG

POS.	NAME OF THE PART	CATALOGUE NUMBER	NUMBER OF PARTS PER 1 CONTAINER
1	bunded floor	02396	1
2	corner angle with peg	01953	2
3	corner angle with opening	01952	10
4	side wall	01930	2
5	back wall	01932	1
6	roof	01933	1
7	shelving stand	01928	according to requirements
8	shelving holder	01927	according to requirements
9	door	01925	1